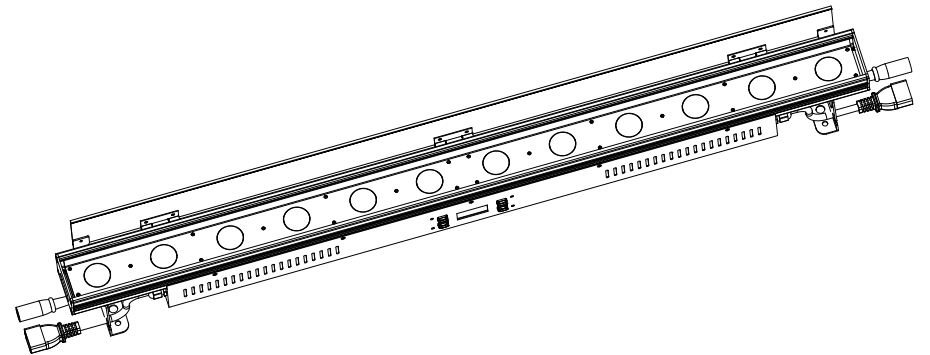




ULTRA HEX BAR 12



ADJ Products, LLC
6122 S. Eastern Ave. Los Angeles, CA 90040 USA
Tel: 323-582-2650 / Fax: 323-725-6100
Web: www.adj.com / E-mail: info@americandj.com

A.D.J. Supply Europe B.V.
Junostraat 2
6468 EW Kerkrade
Netherlands

service@adjgroup.eu / www.adj.eu
Tel: +31 45 546 85 00 / Fax: +31 45 546 85 99

Follow Us On:



[facebook.com/americandj](https://www.facebook.com/americandj)
twitter.com/americandj
[youtube.com/adjlighting](https://www.youtube.com/adjlighting)

User Instructions

©2015 ADJ Products, LLC all rights reserved. Information, specifications, diagrams, images, and instructions herein are subject to change without notice. ADJ Products, LLC logo and identifying product names and numbers herein are trademarks of ADJ Products, LLC. Copyright protection claimed includes all forms and matters of copyrightable materials and information now allowed by statutory or judicial law or hereinafter granted. Product names used in this document may be trademarks or registered trademarks of their respective companies and are hereby acknowledged. All non-ADJ Products, LLC brands and product names are trademarks or registered trademarks of their respective companies.

ADJ Products, LLC and all affiliated companies hereby disclaim any and all liabilities for property, equipment, building, and electrical damages, injuries to any persons, and direct or indirect economic loss associated with the use or reliance of any information contained within this document, and/or as a result of the improper, unsafe, insufficient and negligent assembly, installation, rigging, and operation of this product.

Europe Energy Saving Notice
Energy Saving Matters (EuP 2009/125/EC)
Saving electric energy is a key to help protecting the environment. Please turn off all electrical products when they are not in use. To avoid power consumption in idle mode, disconnect all electrical equipment from power when not in use. Thank you!

Ultra Hex Bar 12

Specifications

Model: Ultra Hex Bar 12

Voltage:	100V ~ 240V/50~60Hz
LEDs:	12 x 10W 6-in-1 Hex LED's
Beam Angle:	40 Degrees
Working Position:	Any safe working position
Power Draw:	90W
Power Cord Daisy Chain:	7 Fixtures Max.
Fuse:	2 Amp
Weight:	11lbs./ 4.74Kgs.
Dimensions:	40.25" (L) x 2.75" (W) x 4.75" (H) 1020 x 70 x 122mm
Colors:	RGBAW + UV Color Mixing
DMX Channels:	5 DMX Modes: 6 Channel Mode, 7 Channel Mode, 8 Channel Mode, 12 Channel Mode, & 36 Channel Mode
Warranty:	2 Year (730 days)

Auto Sensing Voltage: This fixture contains a automatic voltage switch, which will auto sense the voltage when it is plugged into the power source.

Please Note: Specifications and improvements in the design of this unit and this manual are subject to change without any prior written notice.

Unpacking: Thank you for purchasing the Ultra Hex Bar 12 by ADJ Products, LLC. Every Ultra Hex Bar 12 has been thoroughly tested and has been shipped in perfect operating condition. Carefully check the shipping carton for damage that may have occurred during shipping. If the carton appears to be damaged, carefully inspect your fixture for any damage and be sure all accessories necessary to operate the unit has arrived intact. In the case damage has been found or parts are missing, please contact our toll free customer support number for further instructions. Do not return this unit to your dealer without first contacting customer support.

Introduction: The Ultra Hex Bar 12 is a DMX intelligent, LED bar fixture. This fixture can be used in a stand alone mode or connected in a Master/Slave configuration. This par has six operating modes: Sound Active mode, Auto mode, Program mode, RGBWA + UV dimmer mode, Static Color mode, and DMX control mode.

Customer Support: ADJ Products, LLC provides a customer support line, to provide set up help and to answer any question should you encounter problems during your set up or initial operation. You may also visit us on the web at www.adj.com for any comments or suggestions. Service Hours are Monday through Friday 8:00 a.m. to 4:30 p.m. Pacific Standard Time.

Voice: (800) 322-6337

Fax: (323) 582-2941

E-mail: support@americandj.com

Warning! To prevent or reduce the risk of electrical shock or fire, do not expose this unit to rain or moisture.

Caution! There are no user serviceable parts inside this unit. Do not attempt any repairs yourself, doing so will void your manufactures warranty. In the unlikely event your unit may require service please contact ADJ Products, LLC.

PLEASE recycle the shipping carton when ever possible.

Ultra Hex Bar 12

Features

- Multi-Colors
- Six Operating Modes
- Electronic Dimming 0-100%
- Built in Microphone
- DMX-512 protocol
- 3-Pin DMX Connection
- 5 DMX Modes: 6 Channel Mode, 7 Channel Mode, 8 Channel Mode, 12 Channel Mode, & 36 Channel Mode.
- ADJ RFC compatible (Sold Separately)
- Power Cord Daisy Chain (See page 22)

Ultra Hex Bar 12

Warranty Registration

The Ultra Hex Bar 12 carries a 2 year limited warranty. Please fill out the enclosed warranty card to validate your purchase. All returned service items whether under warranty or not, must be freight pre-paid and accompany a return authorization (R.A.) number. The R.A. number must be clearly written on the outside of the return package. A brief description of the problem as well as the R.A. number must also be written down on a piece of paper included in the shipping carton. If the unit is under warranty, you must provide a copy of your proof of purchase invoice. You may obtain a R.A. number by contacting our customer support team on our customer support number. All packages returned to the service department not displaying a R.A. number on the outside of the package will be returned to the shipper.

Ultra Hex Bar 12

Installation

The unit should be mounted using a mounting clamp (not provided), affixing it to the mounting bracket that is provided with the unit. Always ensure that the unit is firmly fixed to avoid vibration and slipping while operating. Always ensure that the structure to which you are attaching the unit is secure and is able to support a weight of 10 times the unit's weight. Also, always use a safety cable that can hold 12 times the weight of the unit when installing the fixture. The equipment must be installed by a professional, and it must be installed in a place where it is out of the reach of people's grasp.

Ultra Hex Bar 12

Notes

MANUFACTURER'S LIMITED WARRANTY

- A. ADJ Products, LLC hereby warrants, to the original purchaser, ADJ Products, LLC products to be free of manufacturing defects in material and workmanship for a prescribed period from the date of purchase (see specific warranty period on reverse). This warranty shall be valid only if the product is purchased within the United States of America, including possessions and territories. It is the owner's responsibility to establish the date and place of purchase by acceptable evidence, at the time service is sought.
- B. **For warranty service you must obtain a Return Authorization number (RA#) before sending back the product—please contact ADJ Products, LLC Service Department at 800-322-6337.** Send the product only to the ADJ Products, LLC factory. All shipping charges must be pre-paid. If the requested repairs or service (including parts replacement) are within the terms of this warranty, ADJ Products, LLC will pay return shipping charges only to a designated point within the United States. If the entire instrument is sent, it must be shipped in its original package. No accessories should be shipped with the product. If any accessories are shipped with the product, ADJ Products, LLC shall have no liability whatsoever for loss of or damage to any such accessories, nor for the safe return thereof.
- C. This warranty is void if the serial number has been altered or removed; if the product is modified in any manner which ADJ Products, LLC concludes, after inspection, affects the reliability of the product; if the product has been repaired or serviced by anyone other than the ADJ Products, LLC factory unless prior written authorization was issued to purchaser by ADJ Products, LLC; if the product is damaged because not properly maintained as set forth in the instruction manual.
- D. This is not a service contract, and this warranty does not include maintenance, cleaning or periodic check up. During the period specified above, ADJ Products, LLC will replace defective parts at its expense with new or refurbished parts, and will absorb all expenses for warranty service and repair labor by reason of defects in material or workmanship. The sole responsibility of ADJ Products, LLC under this warranty shall be limited to the repair of the product, or replacement thereof, including parts, at the sole discretion of ADJ Products, LLC. All products covered by this warranty were manufactured after August 15, 2012, and bear indentifying marks to that effect.
- E. ADJ Products, LLC reserves the right to make changes in design and/or improvements upon its products without any obligation to include these changes in any products theretofore manufactured.

No warranty, whether expressed or implied, is given or made with respect to any accessory supplied with products described above. Except to the extent prohibited by applicable law, all implied warranties made by ADJ Products, LLC in connection with this product, including warranties of merchantability or fitness, are limited in duration to the warranty period set forth above. And no warranties, whether expressed or implied, including warranties of merchantability or fitness, shall apply to this product after said period has expired. The consumer's and/or Dealer's sole remedy shall be such repair or replacement as is expressly provided above; and under no circumstances shall ADJ Products, LLC be liable for any loss or damage, direct or consequential, arising out of the use of, or inability to use, this product.

This warranty is the only written warranty applicable to ADJ Products, LLC Products and supersedes all prior warranties and written descriptions of warranty terms and conditions heretofore published.

MANUFACTURER'S LIMITED WARRANTY PERIODS:

- **Lighting Products = 1-year (365 days) Limited Warranty** (Such as: Special Effect Lighting, Intelligent Lighting, UV lighting, Strobes, Fog Machines, Bubble Machines, Mirror Balls, Par Cans, Trussing, Lighting Stands etc. excluding LED and lamps)
 - **Laser Products = 1 Year (365 Days) Limited Warranty** (excluding laser diodes which have a 6 month limited warranty)
 - **L.E.D. Products = 2-year (730 days) Limited Warranty** (excluding motors, PCB boards, and power supplies, which have a 1-year (365 day Limited Warranty) batteries which have a 180 day limited warranty). Only the L.E.D.s carry a 2-year warranty (excluding StarTec Series which carries a 90 Day Limited Warranty)
 - **ADJ DMX Controllers = 2 Year (730 Days) Limited Warranty** (excluding faders and tact switches)
- ADJ Products, LLC - www.adj.com - Ultra Hex Bar 12 User Manual Page 23

- To reduce the risk of electrical shock or fire, do not expose this unit rain or moisture
- Do not spill water or other liquids into or on to your unit.
- Do not attempt to operate this unit if the power cord has been frayed or broken. Do not attempt to remove or break off the ground prong from the electrical cord. This prong is used to reduce the risk of electrical shock and fire in case of an internal short.
- Disconnect from main power before making any type of connection.
- Do not remove the cover under any conditions. There are no user serviceable parts inside.
- Never operate this unit when its cover is removed.
- Never plug this unit in to a dimmer pack
- Always be sure to mount this unit in an area that will allow proper ventilation. Allow about 6" (15cm) between this device and a wall.
- Do not attempt to operate this unit, if it becomes damaged.
- This unit is intended for indoor use only, use of this product outdoors voids all warranties.
- During long periods of non-use, disconnect the unit's main power.
- Always mount this unit in safe and stable matter.
- Power-supply cords should be routed so that they are not likely to be walked on or pinched by items placed upon or against them, paying particular attention to the point they exit from the unit.
- Cleaning -The fixture should be cleaned only as recommended by the manufacturer. See page 22 for cleaning details.
- Heat -The appliance should be situated away from heat sources such as radiators, heat registers, stoves, or other appliances (including amplifiers) that produce heat.
- The fixture should be serviced by qualified service personnel when:
 - A. The power-supply cord or the plug has been damaged.
 - B. Objects have fallen, or liquid has been spilled into the appliance.
 - C. The appliance has been exposed to rain or water.
 - D. The appliance does not appear to operate normally or exhibits a marked change in performance.

Ultra Hex Bar 12

Set Up

Power Supply: The ADJ Ultra Hex Bar 12 contains a automatic voltage switch, which will auto sense the voltage when it is plugged into the power source. With this switch there is no need to worry about the correct power voltage, this unit can be plugged in anywhere.

DMX-512: DMX is short for Digital Multiplex. This is a universal protocol used as a form of communication between intelligent fixtures and controllers. A DMX controller sends DMX data instructions from the controller to the fixture. DMX data is sent as serial data that travels from fixture to fixture via the DATA “IN” and DATA “OUT” XLR terminals located on all DMX fixtures (most controllers only have a DATA “OUT” terminal).

DMX Linking: DMX is a language allowing all makes and models of different manufactures to be linked together and operate from a single controller, as long as all fixtures and the controller are DMX compliant. To ensure proper DMX data transmission, when using several DMX fixtures try to use the shortest cable path possible. The order in which fixtures are connected in a DMX line does not influence the DMX addressing. For example; a fixture assigned a DMX address of 1 may be placed anywhere in a DMX line, at the beginning, at the end, or anywhere in the middle. When a fixture is assigned a DMX address of 1, the DMX controller knows to send DATA assigned to address 1 to that unit, no matter where it is located in the DMX chain.

Data Cable (DMX Cable) Requirements (For DMX Operation):

The Ultra Hex Bar 12 can be controlled via DMX protocol. The Ultra Hex Bar 12 has 5 DMX channel modes, please see pages 7-8 for the different modes. Your unit and your DMX controller require a standard 3-pin XLR connector for data input and data output (Figure 1). We recommend Accu-Cable DMX cables. If you are making your own cables, be sure to use standard 110-120 Ohm shielded cable (This cable may be purchased at almost all pro lighting stores). Your cables should be made with a male and female XLR connector on either end of the cable. Also remember that DMX cable must be daisy chained and cannot be split.



Figure 1

Notice: Be sure to follow figures two and three when making your own cables. Do not use the ground lug on the XLR connector. Do not con-

Ultra Hex Bar 12

Power Cord Daisy Chain

With this feature you can connect the fixtures to one another using the IEC input and output sockets. The quantity that can be connected is 7 fixtures maximum. After 7 fixtures you will need to use a new power outlet. They must be the same fixtures. DO NOT mix fixtures.

Ultra Hex Bar 12

Fuse Replacement

Locate the fuse holder is located at the rear of unit next to the power cord. Using a phillips head screwdriver, remove the fuse holder. Remove the used fuse and replace with a matching fuse. Insert the fuse holder and fuse into the unit and secure the fuse holder.

Ultra Hex Bar 12

Trouble Shooting

Listed below are a few common problems the user may encounter, with solutions.

Unit not responding to DMX:

1. Check that the DMX cables are connected properly and are wired correctly (pin 3 is “hot”; on some other DMX devices pin 2 may be ‘hot’). Also, check that all cables are connected to the right connectors; it does matter which way the inputs and outputs are connected.

Unit does not respond to sound:

1. Quiet or high pitched sounds will not activate the unit.
2. Make sure that Sound Active mode is activated.

Ultra Hex Bar 12

Cleaning

Due to fog residue, smoke, and dust cleaning the internal and external optical lenses must be carried out periodically to optimize light output.

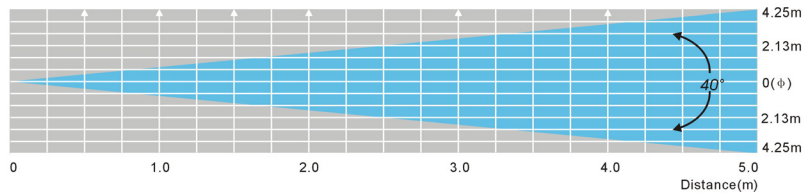
1. Use normal glass cleaner and a soft cloth to wipe down the outside casing.
2. Clean the external optics with glass cleaner and a soft cloth every 20 days.
3. Always be sure to dry all parts completely before plugging the unit back in.

Cleaning frequency depends on the environment in which the fixture operates (i.e. smoke, fog residue, dust, dew).

Ultra Hex Bar 12

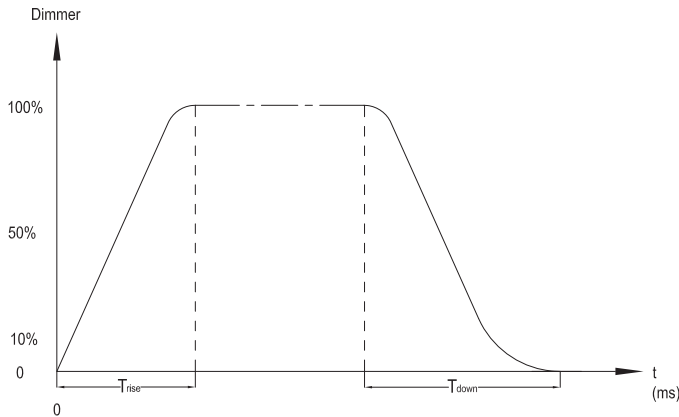
Photometric Chart

R	D40	823	335	176	103.9	65.6	lux
G	D40	968	338	183	104.8	64.7	
B	D40	874	328	168	95.8	60.8	
W	D40	1303	552	269	148	96.8	
A	D40	529	201	95.7	53.9	35.4	
UV	D40	192	80.2	39.2	22.4	14.8	
RGBWA+UV	D40	3880	1680	810	478	286	



Ultra Hex Bar 12

Dimmer Curve Chart



Ramp Effect	0 $\frac{255}{}$ OS (Fade Time)		0 $\frac{255}{}$ 1S (Fade Time)	
	T _{rise} (ms)	T _{down} (ms)	T _{rise} (ms)	T _{down} (ms)
Standard	0	0	0	0
Stage	780	1100	1540	1660
TV	1180	1520	1860	1940
Architectural	1380	1730	2040	2120
Theatre	1580	1940	2230	2280

Ultra Hex Bar 12

Set Up

nect the cable's shield conductor to the ground lug or allow the shield conductor to come in contact with the XLR's outer casing. Grounding the shield could cause a short circuit and erratic behavior.

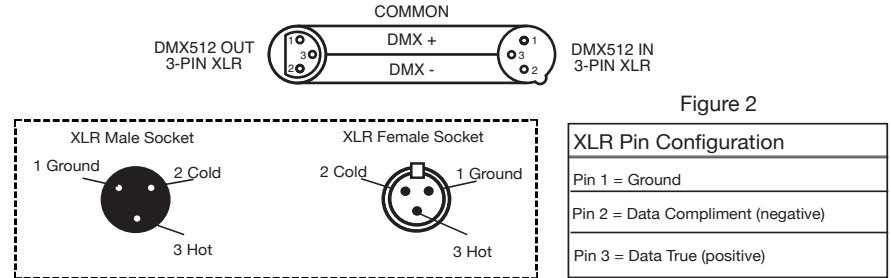


Figure 3

Special Note: Line Termination. When longer runs of cable are used, you may need to use a terminator on the last unit to avoid erratic behavior. A terminator is a 110-120 ohm 1/4 watt resistor which is connected between pins 2 and 3 of a male XLR connector (DATA + and DATA -). This unit is inserted in the female XLR connector of the last unit in your daisy chain to terminate the line. Using a cable terminator (ADJ Products, LLC part number Z-DMX/T) will decrease the possibilities of erratic behavior.



Termination reduces signal errors and avoids signal transmission problems and interference. It is always advisable to connect a DMX terminal, (Resistance 120 Ohm 1/4 W) between PIN 2 (DMX-) and PIN 3 (DMX +) of the last fixture.

Figure 4

5-Pin XLR DMX Connectors. Some manufactures use 5-pin DMX-512 data cables for DATA transmission in place of 3-pin. 5-pin DMX fixtures may be implemented in a 3-pin DMX line. When inserting standard 5-pin data cables in to a 3-pin line a cable adaptor must be used, these adaptors are readily available at most electric stores. The chart below details a proper cable conversion.

3-Pin XLR to 5-Pin XLR Conversion		
Conductor	3-Pin XLR Female (Out)	5-Pin XLR Male (In)
Ground/Shield	Pin 1	Pin 1
Data Compliment (- signal)	Pin 2	Pin 2
Data True (+ signal)	Pin 3	Pin 3
Not Used		Do Not Use
Not Used		Do Not Use

Ultra Hex Bar 12

Operating Instructions

Menu Lock:

You can set the menu to lock after 30 seconds. When the menu is set to lock, press and hold the MODE button for at least 5 seconds to unlock and access the menu.

To set the menu to lock after 30 seconds, press the MODE button until "OTHER" is displayed. Press the SET UP button so that LOCK:XXX" is displayed. "XXX" represents either ON or OFF. Press the UP or DOWN buttons so that ON is displayed. Now the menu will lock after 30s.

LED Display On/Off:

To set the LED display light to turn off after 30 seconds, press the MODE button until "OTHER" is displayed. Press the SET UP button so that BLGT:XXX" is displayed. "XXX" represents either ON or OFF. Press the UP or DOWN buttons so that OFF is displayed. Now the display light will turn off after 30s. Press any button to turn the display on again.

Operating Modes:

The Ultra Hex Bar 12 has six operating modes:

- DMX control mode - This function will allow you to control each individual fixtures traits with a standard DMX 512 controller.
- RGBWA + UV Mode - Choose one of the six colors to remain static or adjust the intensity of each color to make your own color.
- Sound Active mode - The unit will react to sound, chasing through the built in programs.
- Program Mode - The unit will run 1 of 20 built-in programs.
- Auto Mode - The unit will run a auto program.
- Static Color Mode - There are 63 colors to choose from.

DMX Mode:

Operating through a DMX controller gives the user the freedom to create their own programs tailored to their own individual needs. This function also allows you to use your fixtures as spot lights. The Ultra Hex Bar 12 has 5 DMX modes: 6 Channel mode, 7 Channel mode, 8 Channel mode, 12 Channel mode, and 36 Channel mode. See pages 15-20 for each mode's DMX traits.

1. This function will allow you to control each individual fixture's traits with a standard DMX 512 controller.

Ultra Hex Bar 12 36 Channel - DMX Values & Functions

Channel	Value	Function
34	0 - 255	WHITE 0% - 100% PIXEL 11 & 12
35	0 - 255	AMBER 0% - 100% PIXEL 11 & 12
36	0 - 255	UV 0% - 100% PIXEL 11 & 12

Ultra Hex Bar 12

Color Macro Chart

0-3=Off	64-67=B+W	128-131=G+B+W	192-195=R+B+W+A
4-7=Red	68-71=B+A	132-135=G+B+A	196-199=R+B+W+UV
8-11=Green	72-75=B+UV	136-139=G+B+UV	200-203=R+B+A+UV
12-15=Blue	76-79=W+A	140-143=G+W+A	204-207=R+W+A+UV
16-19=White	80-83=W+UV	144-147=G+W+UV	208-211=G+B+W+A
20-23=Amber	84-87=A+UV	148-151=G+A+UV	212-215=G+B+W+UV
24-27=UV	88-91=R+G+B	152-155=B+W+A	216-219=G+B+A+UV
28-31=R+G	92-95=R+G+W	156-159=B+W+UV	220-223=G+W+A+UV
32-35=R+B	96-99=R+G+A	160-163=B+A+UV	224-227=B+W+A+UV
36-39=R+W	100-103=R+G+UV	164-167=W+A+UV	228-231=R+G+B+W+A
40-43=R+A	104-107=R+B+W	168-171=R+G+B+W	232-235=R+G+B+W+UV
44-47=R+UV	108-111=R+B+A	172-175=R+G+B+A	236-239=R+G+B+A+UV
48-51=G+B	112-115=R+B+UV	176-179=R+G+B+UV	240-243=R+G+W+A+UV
52-55=G+W	116-119=R+W+A	180-183=R+G+W+A	244-247=R+B+W+A=UV
56-59=G+A	120-123=R+W+UV	184-187=R+G+W+UV	248-251=G+B+W+A+UV
60-63=G+UV	124-127=R+A+UV	188-191=R+G+A+UV	252-255=R+G+B+W+A+UV

Ultra Hex Bar 12 36 Channel - DMX Values & Functions		
Channel	Value	Function
1	0 - 255	RED 0% - 100% PIXEL 1 & 2
2	0 - 255	GREEN 0% - 100% PIXEL 1 & 2
3	0 - 255	BLUE 0% - 100% PIXEL 1 & 2
4	0 - 255	WHITE 0% - 100% PIXEL 1 & 2
5	0 - 255	AMBER 0% - 100% PIXEL 1 & 2
6	0 - 255	UV 0% - 100% PIXEL 1 & 2
7	0 - 255	RED 0% - 100% PIXEL 3 & 4
8	0 - 255	GREEN 0% - 100% PIXEL 3 & 4
9	0 - 255	BLUE 0% - 100% PIXEL 3 & 4
10	0 - 255	WHITE 0% - 100% PIXEL 3 & 4
11	0 - 255	AMBER 0% - 100% PIXEL 3 & 4
12	0 - 255	UV 0% - 100% PIXEL 3 & 4
13	0 - 255	RED 0% - 100% PIXEL 5 & 6
14	0 - 255	GREEN 0% - 100% PIXEL 5 & 6
15	0 - 255	BLUE 0% - 100% PIXEL 5 & 6
16	0 - 255	WHITE 0% - 100% PIXEL 5 & 6
17	0 - 255	AMBER 0% - 100% PIXEL 5 & 6
18	0 - 255	UV 0% - 100% PIXEL 5 & 6
19	0 - 255	RED 0% - 100% PIXEL 7 & 8
20	0 - 255	GREEN 0% - 100% PIXEL 5 & 8
21	0 - 255	BLUE 0% - 100% PIXEL 7 & 8
22	0 - 255	WHITE 0% - 100% PIXEL 7 & 8
23	0 - 255	AMBER 0% - 100% PIXEL 7 & 8
24	0 - 255	UV 0% - 100% PIXEL 7 & 8
25	0 - 255	RED 0% - 100% PIXEL 9 & 10
26	0 - 255	GREEN 0% - 100% PIXEL 9 & 10
27	0 - 255	BLUE 0% - 100% PIXEL 9 & 10
28	0 - 255	WHITE 0% - 100% PIXEL 9 & 10
29	0 - 255	AMBER 0% - 100% PIXEL 9 & 10
30	0 - 255	UV 0% - 100% PIXEL 9 & 10
31	0 - 255	RED 0% - 100% PIXEL 11 & 12
32	0 - 255	GREEN 0% - 100% PIXEL 11 & 12
33	0 - 255	BLUE 0% - 100% PIXEL 11 & 12

Ultra Hex Bar 12	Operating Instructions
2.	To run your fixture in DMX mode press the MODE button until “DMX MODE: is displayed. Press the SET UP button so that ADDR:XXX” is displayed. “XXX” represents the current displayed address. Use the UP or DOWN buttons to select your desired DMX address, then press the SETUP button to select your DMX Channel mode.
3.	Use the UP or DOWN buttons to scroll through the DMX Channel modes. The Channel modes are listed below: <ul style="list-style-type: none"> • To run the 6 Channel Mode, press the MODE button until “CHAN:6” is displayed. This is the 6 Channel DMX Mode. • To run the 7 Channel Mode, press the MODE button until “CHAN:7” is displayed. This is the 7 Channel DMX Mode. • To run the 8 Channel Mode, press the MODE button until “CHAN:8” is displayed. This is the 8 Channel DMX Mode. • To run the 12 Channel Mode, press the MODE button until “CHAN:12” is displayed. This is the 12 Channel DMX Mode. • To run the 36 Channel Mode, press the MODE button until “CHAN:36” is displayed. This is the 36 Channel DMX Mode.
4.	Please see pages 15-20 for DMX values and traits.
5.	After you have chosen your desired DMX Channel mode plug in the fixture via the XLR connections to any standard DMX controller.
RGBWA & UV Dimmer Mode:	
1.	Plug the fixture in and press the MODE button until “MANUAL” is displayed.
2.	When “RED: XXX” is displayed you are in Red dimming mode. Press the UP and DOWN buttons to adjust intensity. After you have finished adjusting the intensity, or if you would like to skip to the next color, press the SET UP button.
3.	When “GREN: XXX” is displayed you are in Green dimming mode. Press the UP and DOWN buttons to adjust intensity.
4.	When “BLUE: XXX” is displayed you are in Blue dimming mode. Press the UP and DOWN buttons to adjust intensity.
5.	When “WHIT: XXX” is displayed you are in White dimming mode. Press the UP and DOWN buttons to adjust intensity.
6.	When “AMBE: XXX” (Amber) is displayed you are in Amber dimming mode. Press the UP and DOWN buttons to adjust intensity.
7.	When “UV: XXX” is displayed you are in UV dimming mode. Press

Ultra Hex Bar 12

Operating Instructions

the UP and DOWN buttons to adjust intensity.

8. After you have adjusted the colors to make your desired color you can then activate strobing by pressing the SET UP button to enter the strobe mode.
9. "STRO: XX" will be displayed, this is strobe mode. The strobe can be adjusted between "00" (flash off) to "15" (fastest flash).

Static Color Mode:

1. Plug the fixture in and press the MODE button until "CLR MACS" is displayed. Press the SET UP button so that "COLOR:XX" is displayed. "XX" represents the current displayed macro.
2. There are 63 colors to choose from. Use the UP and DOWN buttons to scroll through the 63 colors. After you have found your desired color you can activate strobing by pressing the SET UP button to enter the strobe mode.
3. "STATIC STRO:XX" will be displayed, this is strobe mode. The strobing can be adjusted between "00" (flash off) to "15" (fastest flash).

Program Mode:

1. Plug the fixture in and press the MODE button until "PROG RUN PROG:XX" is displayed. "XX" represents the current program that is running.
2. Use the UP or DOWN buttons to scroll through the 20 programs. Once you have found your desired program press the SET UP button to adjust the program speed.
3. "SPEED:XX" will be displayed. Use the UP or DOWN button to adjust the speed between "01" (slowest) and "16" (fastest). Once you have set your desired running speed, press the SET UP button to enter the fade adjustment mode.
4. "FADE: XX" will be displayed. Use the UP or DOWN button to adjust the speed between "01" (fastest) and "16" (slowest) or "00" (Off).
5. After you have adjusted the fade speed you can then activate strobing by pressing the SET UP button to enter the strobe mode.
6. "STRO: XX" will be displayed, this is strobe mode. The strobe can be adjusted between "00" (flash off) to "15" (fastest flash).

Ultra Hex Bar 12

12 Channel - DMX Values & Functions

Channel	Value	Function
10	91 - 101	PROGRAMS
	102 - 112	PROGRAM 8
	113 - 123	PROGRAM 9
	124 - 134	PROGRAM 10
	135 - 145	PROGRAM 11
	146 - 156	PROGRAM 12
	157 - 167	PROGRAM 13
	168 - 178	PROGRAM 14
	179 - 189	PROGRAM 15
	190 - 200	PROGRAM 16
	201 - 211	PROGRAM 17
11	212 - 222	PROGRAM 18
	223 - 233	PROGRAM 19
	234 - 255	PROGRAM 20
		SOUND ACTIVE PROGRAMS
		PROGRAM SPEED/SOUND SENSITIVE
12	0 - 255	SLOW - FAST
	0 - 255	LEAST SENSITIVE - MOST SENSITIVE
		DIMMER MODE
	0 - 20	STANDARD
	21 - 40	STAGE
	41 - 60	TV
	61 - 80	ARCHITECTURAL
81 - 100	THEATRE	
101 - 255	DEFAULT DIMMER SETTING	

When Channel 7 is being used, Channels 1-6 will not work.

When Channel 10 is between the values of 1-233, Channel 11 will control the program speed.

When Channel 10 is between the values of 234-255, Channel 11 will control the sound sensitivity.

Ultra Hex Bar 12 12 Channel - DMX Values & Functions

Channel	Value	Function
1	0 - 255	RED 0% - 100%
2	0 - 255	GREEN 0% - 100%
3	0 - 255	BLUE 0% - 100%
4	0 - 255	WHITE 0% - 100%
5	0 - 255	AMBER 0% - 100%
6	0 - 255	UV 0% - 100%
7	0 - 255	COLOR MACROS (See Color Macro Chart on page 20)
8	0 - 31 32 - 63 64 - 95 96 - 127 128 - 159 160 - 191 192 - 223 224 - 255	STROBING OFF LED ON STROBING SLOW - FAST LED ON STROBE PULSE SLOW - FAST LED ON RANDOM STROBING LED ON
9	0 - 255	MASTER DIMMER 0% - 100%
10	0 1 - 24 25 - 35 36 - 46 47 - 57 58 - 68 69 - 79 80 - 90	PROGRAMS OFF PROGRAM 1 PROGRAM 2 PROGRAM 3 PROGRAM 4 PROGRAM 5 PROGRAM 6 PROGRAM 7

Ultra Hex Bar 12

Operating Instructions

Auto Run Mode:

1. Plug the fixture in and press the MODE button until "AUTO RUN SPEED:XX" is displayed. "XX" represents the current auto run speed.
2. Use the UP or DOWN button to adjust the speed between "01" (slowest) and "16" (fastest). Once you have set your desired running speed, press the SET UP button to adjust the fade speed of the Auto Mode.
3. "FADE: XX" will be displayed. Use the UP or DOWN button to adjust the speed between "01" (fastest) and "16" (slowest) or "00" (Off).
4. After you have adjusted the fade speed you can then activate strobing by pressing the SET UP button to enter the strobe mode.
5. "STRO: XX" will be displayed, this is strobe mode. The strobe can be adjusted between "00" (flash off) to "15" (fastest flash).

Sound Active Mode:

In this mode the Ultra Hex Bar 12 will react to sound, and chase through the different colors.

1. Plug the fixture in and press the MODE button until "SOUND PRO: XX" is displayed. "XX" is the current sound sensitivity setting.
2. Use the UP or DOWN buttons to adjust the sound sensitivity. "00" is off, "01" is the least sensitive, and "16" is the most sensitive.
3. After you have adjusted the sound sensitivity you can then activate strobing by pressing the SET UP button to enter the strobe mode.
4. "STRO: XX" will be displayed, this is strobe mode. The strobe can be adjusted between "00" (flash off) to "15" (fastest flash).

ADJ RFC:

This function is used to activate and deactivate the ADJ RFC control. When this function is activated you can control the fixture using the ADJ RFC (Sold Separately). Please see the next page for ADJ RFC controls and functions.

1. Plug the fixture in and press the MODE button until "OTHER" is displayed.
2. Press the SET UP button until "RF: XX" is displayed. "XX" represents either "ON" or "OFF".

- Use the UP or DOWN buttons to either activate the remote function (On) or deactivate it (Off).

DMX State:

This mode can be used as a precaution mode, that in case the DMX signal is lost, the operating mode chosen in the setup is the running mode the fixture will go into when the DMX signal is lost. You can also set this as the operating mode you would like the unit to return to when power is applied.

- Press the MODE button until “DMX MODE” is displayed.
- Press the SET UP button so that “NO:XXXX” is displayed. “XXXX” represents the current DMX state that is displayed.
 - “NO: BLACK” (Blackout) - If the DMX signal is lost or interrupted, the unit will automatically go into stand by mode.
 - “NO: HOLD” (Last State) - If the DMX signal is lost or interrupted, the fixture will stay in the last DMX set up. If power is applied and this mode is set, the unit will automatically go into the last DMX set up.
 - “NO: AUTO” (Auto Run) - If the DMX signal is lost or interrupted, the unit will automatically go into Auto Run mode.
- Use the UP and DOWN buttons to find your desired DMX state and press SET UP to confirm and exit.

Dimmer Curve:

This is used to set the dimming curve used with DMX mode. See page 21 for the different dimming curves.

- Plug the fixture in and press the MODE button until “DMX MODE” is displayed.
- Press the SET UP button until “DELAY: X” is displayed. “X” represents the displayed dimmer curve (0-4).
 - 0 - Standard
 - 1 - Stage
 - 2 - TV
 - 3 - Architectural
 - 4 - Theatre
- Press the UP or DOWN buttons to scroll through and select your desired dimming curve.

Channel	Value	Function
1	0 - 255	RED 0% - 100%
2	0 - 255	GREEN 0% - 100%
3	0 - 255	BLUE 0% - 100%
4	0 - 255	WHITE 0% - 100%
5	0 - 255	AMBER 0% - 100%
6	0 - 255	UV 0% - 100%
7	0 - 31 32 - 63 64 - 95 96 - 127 128 - 159 160 - 191 192 - 223 224 - 255	STROBING OFF LED ON STROBING SLOW - FAST LED ON PULSE STROBING SLOW - FAST LED ON RANDOM STROBING LED ON
8	0 - 255	MASTER DIMMER 0% - 100%

Ultra Hex Bar 12 6 Channel - DMX Values & Functions		
Channel	Value	Function
1	0 - 255	RED 0% - 100%
2	0 - 255	GREEN 0% - 100%
3	0 - 255	BLUE 0% - 100%
4	0 - 255	WHITE 0% - 100%
5	0 - 255	AMBER 0% - 100%
6	0 - 255	UV 0% - 100%

Ultra Hex Bar 12 7 Channel - DMX Values & Functions		
Channel	Value	Function
1	0 - 255	RED 0% - 100%
2	0 - 255	GREEN 0% - 100%
3	0 - 255	BLUE 0% - 100%
4	0 - 255	WHITE 0% - 100%
5	0 - 255	AMBER 0% - 100%
6	0 - 255	UV 0% - 100%
7	0 - 255	MASTER DIMMER 0% - 100%

Ultra Hex Bar 12 Master-Slave Configuration

Master-Slave Configuration:

This function will allow you to link units together to run in a Master-Slave mode. In a Master-Slave set up one unit will act as the controlling unit and the others will react to the controlling units built-in programs. Any unit can act as a Master or as a Slave however, only one unit can be programmed to act as the "Master."

Master-Slave Connections and Settings:

1. Daisy chain your units via the XLR connector on the rear of the unit. Use standard XLR data cables to link your units together. Remember that the Male XLR connector is the input and the Female XLR connector is the output. The first unit in the chain (master) will use the female XLR connector only. The last unit in the chain will use the male XLR connector only.
2. Set the "Master" unit to your desired mode of operation.
3. Connect the first "Slave" unit to the "Master."
4. On the "Slave" unit set it to the "DMX MODE ADDR" setting. The "Slave" unit will now follow the "Master".

The **ADJ RFC** remote (sold separately) has many different functions and allows you to control your Ultra Hex Bar 12 from long distance. The **ADJ RFC** remote can control your system up to 150 ft. To use the RFC you must first activate the fixtures receiver, to activate the receiver please see the instructions on pages 10-11.

BLACKOUT - Pressing this button will blackout the fixture. Press this button for more than 3 seconds to activate default mode. All modes will return to their default settings.

AUTO RUN - This button will activate the Auto Run mode. You can control the fade speed by pressing the FLASH button twice and then adjust the fade speed using the “+” and “-” buttons. Adjust the program speed of the Auto Run by pressing the SPEED button and then adjust the speed using the “+” and “-” buttons. Press the FLASH button once to activate strobe and adjust the strobe speed using the “+” and “-” buttons.

PROGRAM SELECTION - This button will activate 1 of 2 modes; Static Color mode or Program mode.

1. Press this button to activate Static Color mode. Use the “+” and “-” buttons to scroll through the 63 colors. Once you have found your desired color you can press the FLASH button to activate strobing. Use the “+” and “-” buttons adjust the strobe speed.

2. Press this button to activate Program mode. Use the “+” and “-” buttons to scroll through the 20 different programs. Once you have found your desired program you can press the SPEED button and use the “+” and “-” buttons to adjust the program speed. Adjust the fade speed by pressing the FLASH button twice and use the “+” and “-” buttons to adjust the fade speed. Press the FLASH button once to activate strobe and adjust the strobe speed using the “+” and “-” buttons.

FLASH - This button will activate the flash (strobe) effect. You can control the flash speed by pressing the “+” and “-” buttons. In Auto mode and Program mode, press this button twice to enter fade speed adjustment. Use the “+” and “-” buttons to adjust the fade speed.

SPEED - Press this button and use the “+” & “-” buttons to adjust the speed of the Built-In Programs.

SOUND ACTIVE - This button activates sound active mode. Use the “+” & “-” buttons to adjust the sound sensitivity level.

R G B W/A - Press either one of these buttons and then press the “+” or “-” to adjust the brightness. Press the Flash button to activate strobing and use the “+” or “-” buttons to adjust the strobe speed.

NOTE: Press the W/A button to scroll through White, Amber, and UV.

“+” and “-” - Use these buttons to adjust the flash rate, speed of the Auto Run and built-in programs, fade speed, sound sensitivity, and output intensity. These buttons are also used to scroll through the static colors and built-in programs.